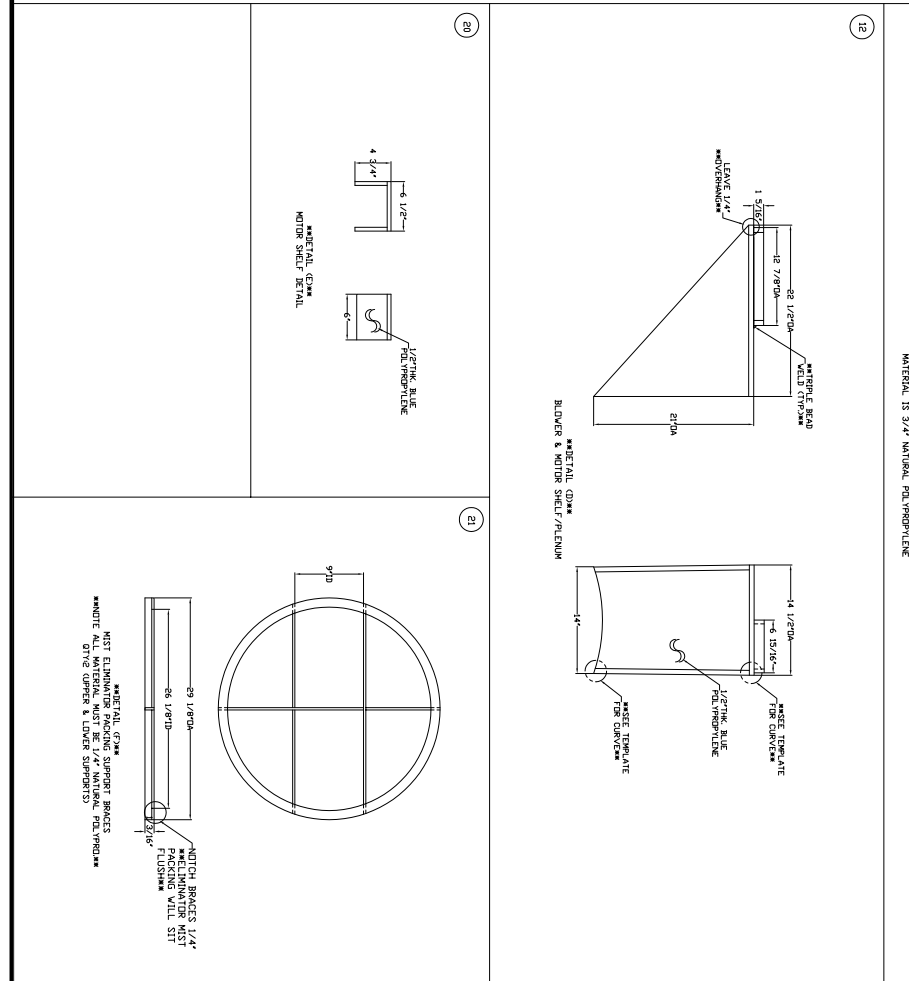
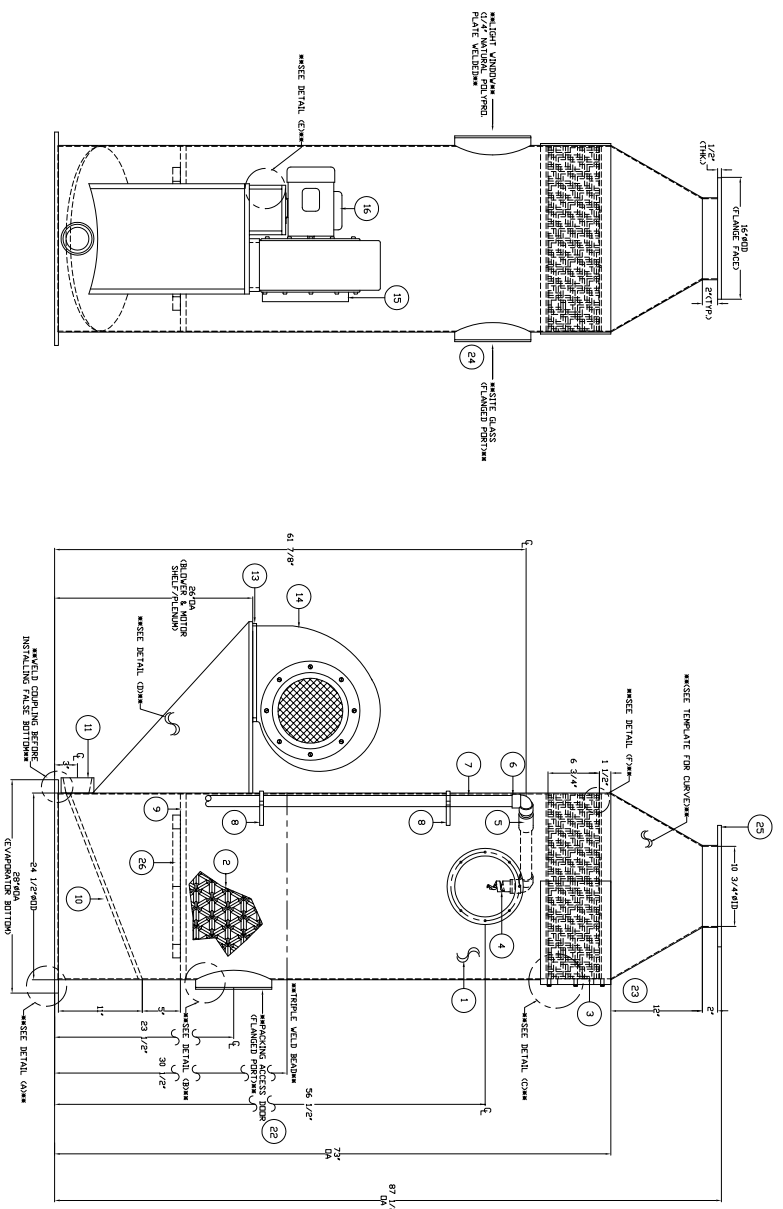
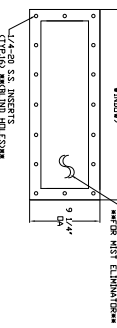
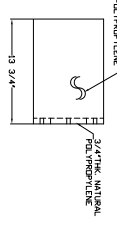
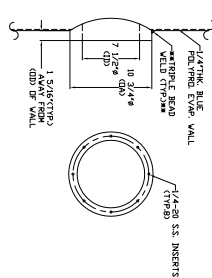
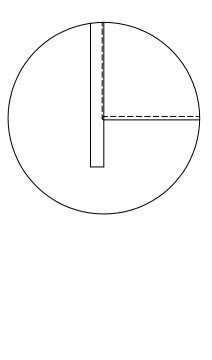
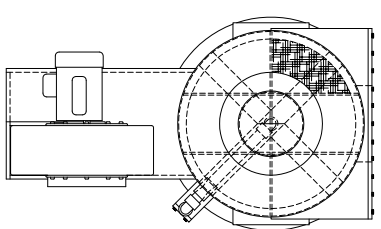


**NOTES:**

ITEM	QTY.	DESCRIPTION	MFR.	Bpe P/N
1	1	24 1/2"ØDDX1/4"THK. "BLUE" POLYPROPYLENE EVAPORATOR SHELL	BPE	
2	10- $\frac{1}{2}$ "	NATURAL POLYPROPYLENE TOWER PACKING	KOCH ENGINEERING	
3	1	24ØX4" BLACK POLYPROPYLENE MIST ELIMINATOR	KIMRE	
4	1	1" TEFLON FULL CONE SPRAY NOZZLE W/1/4"X1" CPVC REDUCER BUSHING	SPRAY SYSTEMS	
5	1	1/4" POLYPROPYLENE F.C.	NIBCO	
6	1	1/4" CPVC 90° ELBOW	ELSON	
7	A/R	1/4" CPVC (SCH80) PIPE	ELSON	
8	2	4 1/2"X3X1/2"THK. "BLUE" POLYPROPYLENE GPIPE SUPPORT HOLDERS	BPE	
9	1	24ØX3/4"THK. NATURAL POLYPROPYLENE PACKING SUPPORT PLATE	BPE	
10	1	24ØX1/2"THK. NATURAL POLYPROPYLENE DEFLECTOR PLATE	BPE	
11	1	3" POLYPROPYLENE H.C.	NIBCO	
12	1	1/2"THK. "BLUE" POLYPROPYLENE BLOWER & MOTOR SHELF ASSY. **SEE DETAIL (D)**	BPE	
13	1	1/2"ØX1/2"THK. "BLUE" POLYPROPYLENE FLANGE FACE	GRANGER	
14	1	DIRECT DRIVE BLOWER HOUSING ASSY	BPE	
15	1	POLYPROPYLENE BLOWER INLET SCREEN	BALDOR	
16	1	DIRECT DRIVE MOTOR (1/3HP 115/230VAC1Ø)	BPE	
17	1	28ØX1/2"THK. "BLUE" POLYPROPYLENE EVAP. BASE W/1/8" ROUNDED/EXTRUSION WELDED BOTTOM	BPE	
18	3	CUSTOM "BLACK" POLYPROPYLENE FLANGE **SEE DETAIL (B)**	BPE	
19	1	24X4 1/2"X1/2"THK. "BLUE" POLYPROPYLENE MIST ELIMINATOR WINDOW **SEE DETAIL (C)**	BPE	
20	1	1/2" "BLUE" POLYPROPYLENE PUMP BASE PLATE (6X6X4 1/4)ØD	BPE	
21	2	24 1/4"X1THK. NATURAL POLYPROPYLENE SUPPORT BRACING FOR MIST ELIMINATOR	BPE	
22	A/R	GRIEX GASKET (**PACKING ACCESS WINDOW**) **RING IS NATURAL POLYPROP. BLUE COVER**	BPE	
23	A/R	GRIEX GASKET (**SEE MIST ELIMINATOR WINDOW**) **RING IS BLACK POLYPROP. CLEAR COVER**	BPE	
24	A/R	1/2"THK. X16Ø" CUSTOM FLANGE FACE	BPE	
25	1	24X2 1/2"X1"THK. POLYPROPYLENE SUPPORT **PACKING SUPPORT PLATE**	BPE	
26	2			

DETAILS NOT DRAWN TO SCALE



**BURT PROCESS**  
FLUID HANDLING EQUIPMENT SINCE 1970  
1059 SHEPARD AVE. HARTFORD, CT 06114 (860) 287-7985  
WWW.BURTPROCESS.COM

**BPE**

**CUSTOMER:** -

**ENG. BY:** -

**DWN. BY:** AFS

**APP. BY:** -

**APOLLO EVAP (NEW)** 1 OF 1 **REV:** A

**DMG NO.:** -

**SCALE:** 1" = 1'

**TITLE:** APOLLO EVAPORATOR MODEL #AP-24-PP

**ESTIMATED WEIGHT** -

**SHIPPING** -

**OPERATING** -

**PRIM. ELEC.** -

**SEC. ELEC.** -

**PNEUMATIC** -

**WATER** -

**REVISIONS**

NO.	DATE	DESCRIPTION	BY
1	10/16/02	UPDATED PRINT **AS-BUILT**	AFS

**THIS DRAWING CONTAINS PROPRIETARY INFORMATION WHICH IS INTENDED FOR USE BY ONLY THOSE PARTIES LISTED AND MAY NOT BE MODIFIED, REPRODUCED, OR RETRANSMITTED WITHOUT THE CONSENT OF BURTPROCESS EQUIPMENT.**